



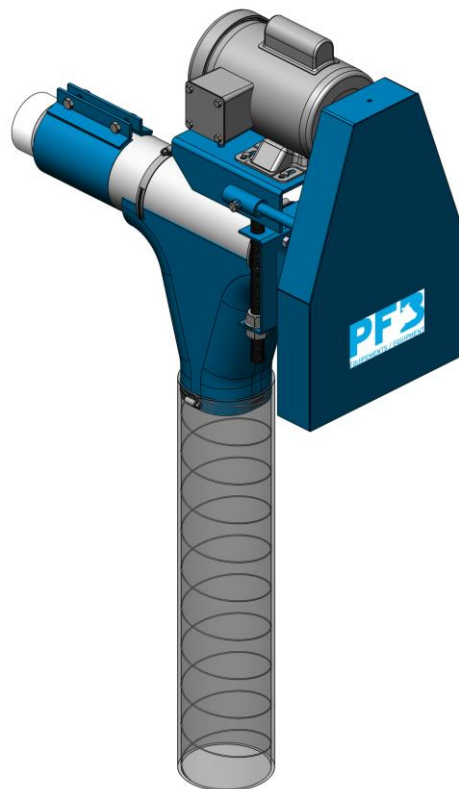
EQUIPEMENTS

| You raise the herd. We raise the standards.

Flexible grain auger

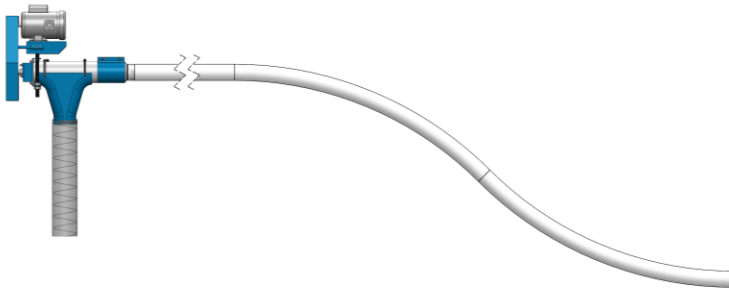
IDEAL FOR MOLKING ROBOT FEEDING

- SIMPLE AND ADJUSTABLE INSTALLATION
- DESIGNED FOR 3.5" FLEX AUGER
- CAN BE ADAPTED TO SEVERAL MOTOR SIZES (FROM 1/2HP TO 1 1/2HP)
- ADJUSTABLE FIBERGLASS OUTLET
- 5 "D. CLEAR DRAIN HOSE AVAILABLE



Flexible grain auger

IDEAL FOR MILKING ROBOT FEEDING



CUSTOMIZED CONFIGURATION

- LAYOUT ACCORDING TO YOUR NEEDS
- VARIED LENGTH FROM 10ft TO ± 100 ft
- STRAIGHT SECTION OF 10ft
- LARGE RADIUS ELBOW 45° X 5ft



3.5"D. FLEXIBLE TWIN

- FLEXIBLE TWIST CAN BE CUT TO YOUR NEEDS
- HOPPER FOR SILO AVAILABLE
- DIRECT DRIVE 220V AVAILABLE