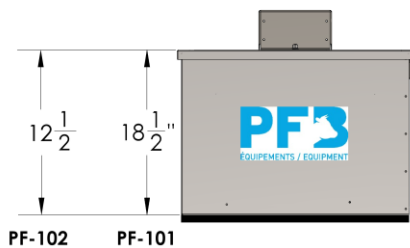
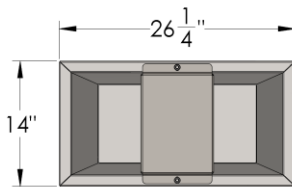


Heated Waterer

ENSURE WATER IS ALWAYS AVAILABLE EVEN BELOW FREEZING

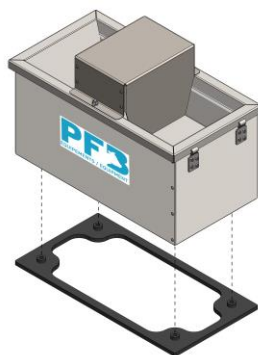


PF-101 MODEL

- STAINLESS STEEL TUB
- ISOLATED STAINLESS STEEL FRAME
- ADJUSTABLE THERMOSTAT
- 2 ELEMENTS (580 WATTS, 120V, 5 AMPS)
- CSA SPECIAL INSPECTION APPROVAL AS PER EPS-1000
- STAINLESS STEEL COVER
- DIMENSION: 26 1/4" X 14" X 18 1/2"
- OPTION : HEATED WATERER INSULATOR

PF-102 MODEL

- DIMENSION: 26 1/4" X 14" X 12 1/2"

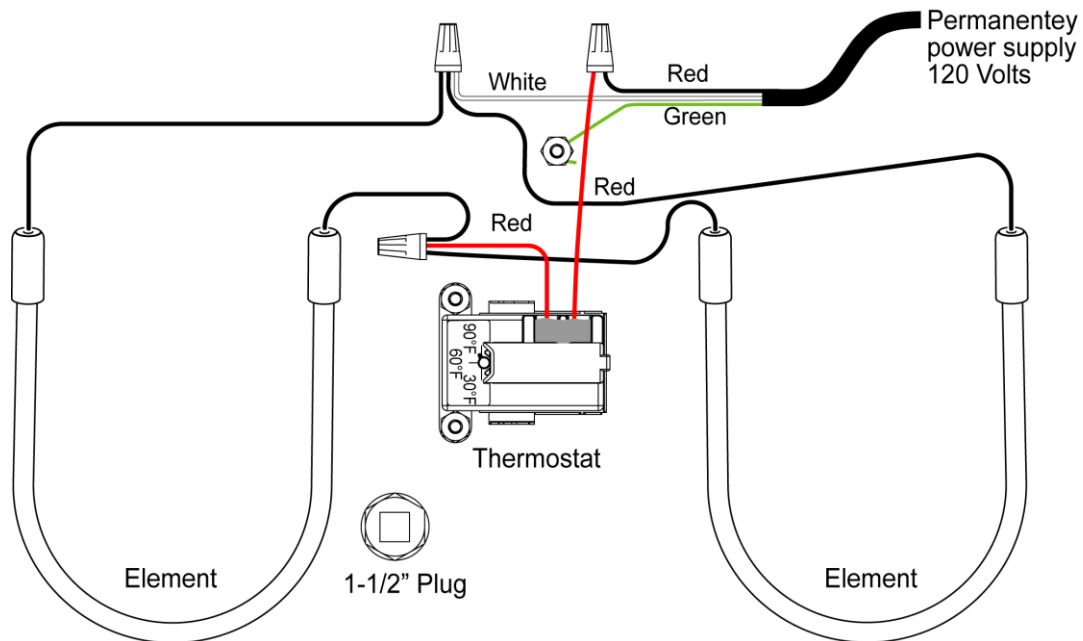


OPTION:
HEATED WATERER INSULATOR

RECOMMENDED INSTALLATION
HEIGHT 24" TO 32" FROM TOP OF
HEATED WATERER TO FLOOR
(ACCORDING TO THE AGE OF THE
ANIMAL)

Heated Waterer

ENSURE WATER IS ALWAYS AVAILABLE EVEN BELOW FREEZING



IMPORTANT

The connection of these electrical product must be done by a master electrician