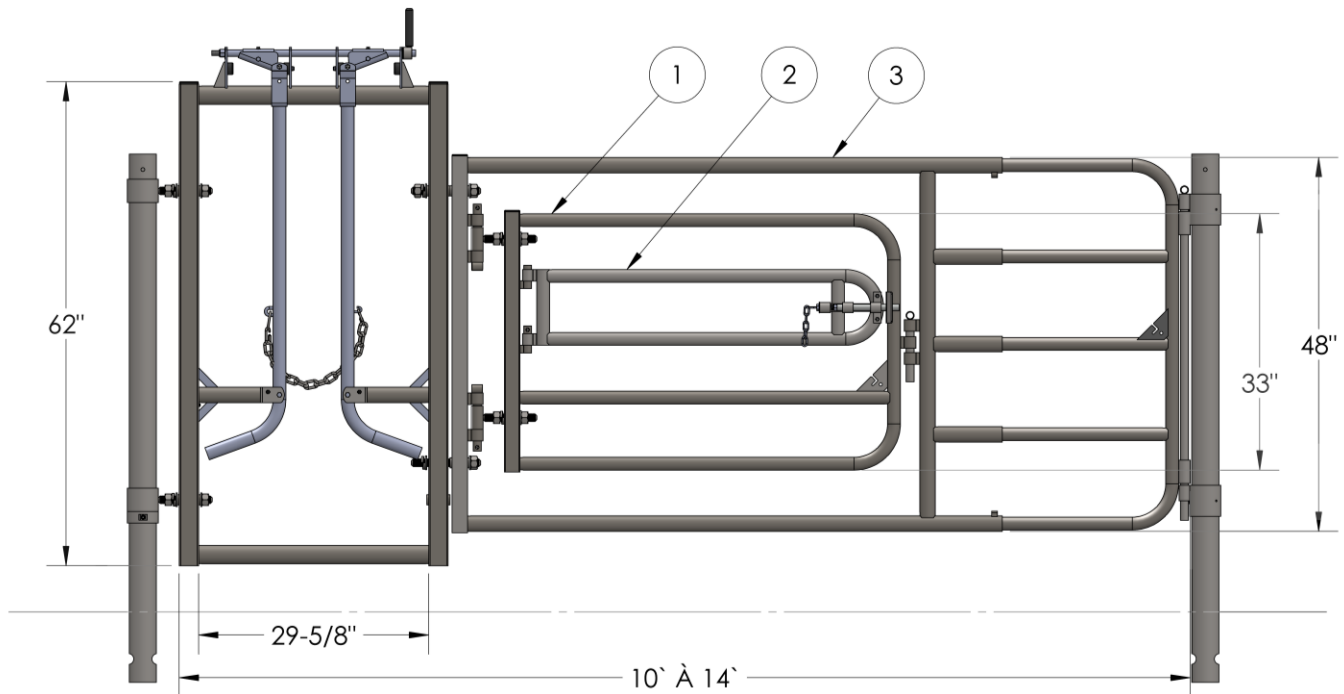


Contention barrier

PROPERLY IMMOBILIZE THE ANIMAL DURING AN INTERVENTION

- BARRIER DESIGNED IN 2 ADJUSTABLE PARTS
- ADJUSTS ACCORDING TO THE NEEDS OF THE BREEDERS FROM 10' TO 14'
- EXTENSION AVAILABLE WITH BUSHINGS OR CLANCHES
- IDEAL FOR CALVING ENCLOSURES
- THE OPERATION BARRIER IS USED TO REACH THE COW IN COMPLETE SAFETY
- CARCAN INTEGRATED IN THE BARRIER
- HOT DIP GALVANIZED RESPECTING THE HIGHEST INTERNATIONAL GALVANIZATION STANDARDS
- RUGGED CONCEPTION WITH PREMIUM QUALITY PRODUCTS



Contention barrier

PROPERLY IMMOBILIZE THE ANIMAL DURING AN INTERVENTION

TOP VIEW

