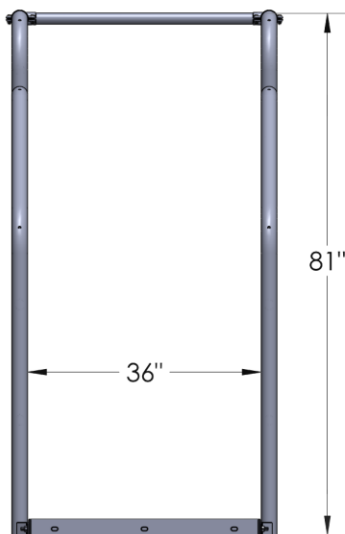


# Bridge

## KEEP A CLEAN ACCESS

- HEAVY STEEL DESIGN
- FLEXIBILITY OF INSTALLATION AND CONFIGURATION
- FLOOR WIDTH OF 36"
- BRIDGE ALREADY ASSEMBLED AND WHICH REQUIRES NO WELDING
- SEVERAL SIZES AVAILABLE DEPENDING ON YOUR SCRAPER ALLEY
- HOT DIP GALVANIZED RESPECTING THE HIGHEST INTERNATIONAL GALVANIZATION STANDARDS

SIDE VIEW



FRONT VIEW

